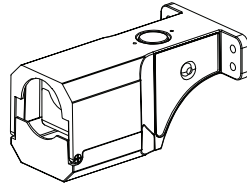


INSTRUCTIONS

A17 ROADWAY ARM INSTALLATION

RAB®

RAB Lighting is committed to creating high-quality, affordable, well-designed and energy-efficient LED lighting and controls that make it easy for electricians to install and end users to save energy. We'd love to hear your comments. Please call the Marketing Department at 888-RAB-1000 or email: marketing@rablighting.com



IMPORTANT

READ CAREFULLY BEFORE INSTALLING FIXTURE. RETAIN THESE INSTRUCTIONS FOR FUTURE REFERENCE.

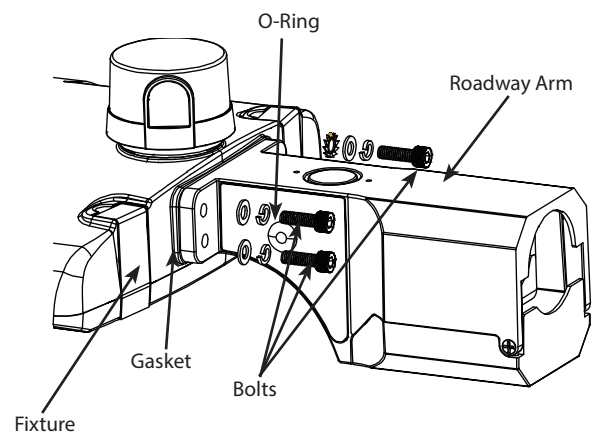
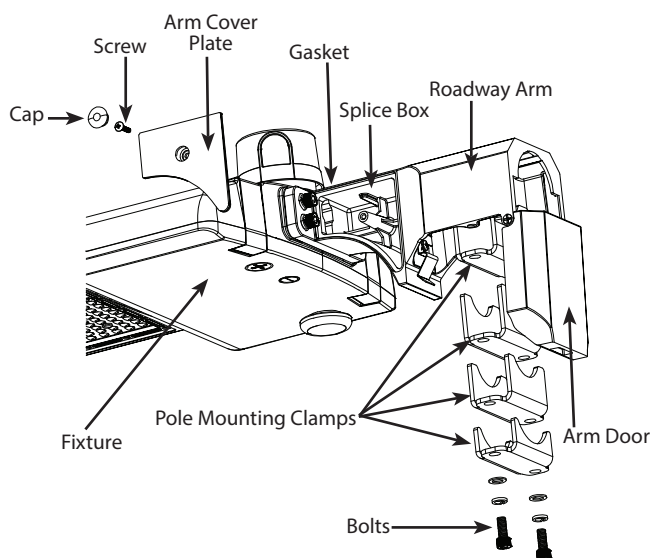
RAB fixtures must be wired in accordance with the National Electrical Code and all applicable local codes. Proper grounding is required for safety. THIS PRODUCT MUST BE INSTALLED IN ACCORDANCE WITH THE APPLICABLE INSTALLATION CODE BY A PERSON FAMILIAR WITH THE CONSTRUCTION AND OPERATION OF THE PRODUCT AND THE HAZARDS INVOLVED.

WARNING: Make certain power is OFF before installing or maintaining fixture. No user serviceable parts inside.

CAUTION: For proper weatherproof function all gaskets must be seated properly and all screws inserted and tightened firmly.

ROADWAY ARM MOUNTING

1. The ROADWAY ARM fits a 1", 1.25", 1.5" and 2" pole tenon.
2. Unlatch the Arm Door and place the appropriate Pole Mounting Clamp in the Roadway Arm. The tenon diameter is marked on the Pole Mounting Clamps. Slide the Fixture on the tenon pole while guiding the wires into the Splice Box.
3. Secure the Fixture on the pole by tightening the Pole Mounting Clamps with hardware provided.
4. Open the Arm Cover Plate to the Splice Box. Feed wires from the pole and Fixture into the Splice Box. Make necessary connections in the Splice Box, knot the wires for strain relief.
5. Install the Arm Cover Plate. Be sure the Gaskets and O-Ring are in place. Tighten Screws, install the Cap and close the Arm Door.



Note: These instructions do not cover all details or variations in equipment nor do they provide for every possible situation during installation, operation or maintenance.

RAB®

© 2023 RAB LIGHTING Inc.
A17-RW ARM - IN 0423
P-100508

Easy Answers

rablighting.com
Visit our website for product info

RAB WARRANTY: RAB's warranty is subject to all terms and conditions found at rablighting.com/warranty.

Tech Help Line
Call our experts: 888 722-1000

e-mail
Answered promptly - sales@rablighting.com

Free Lighting Layouts
Answered online or by request